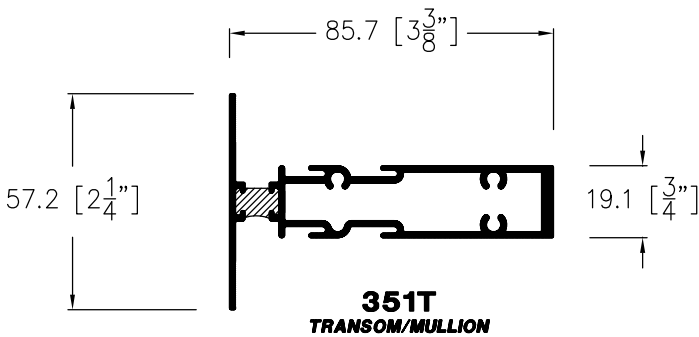
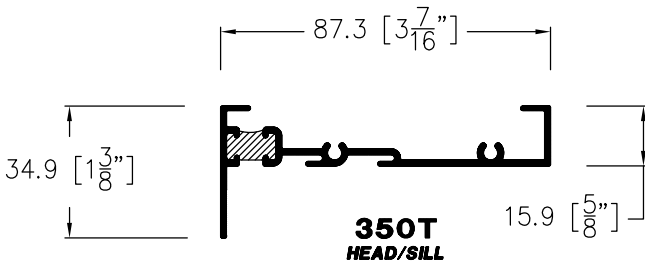
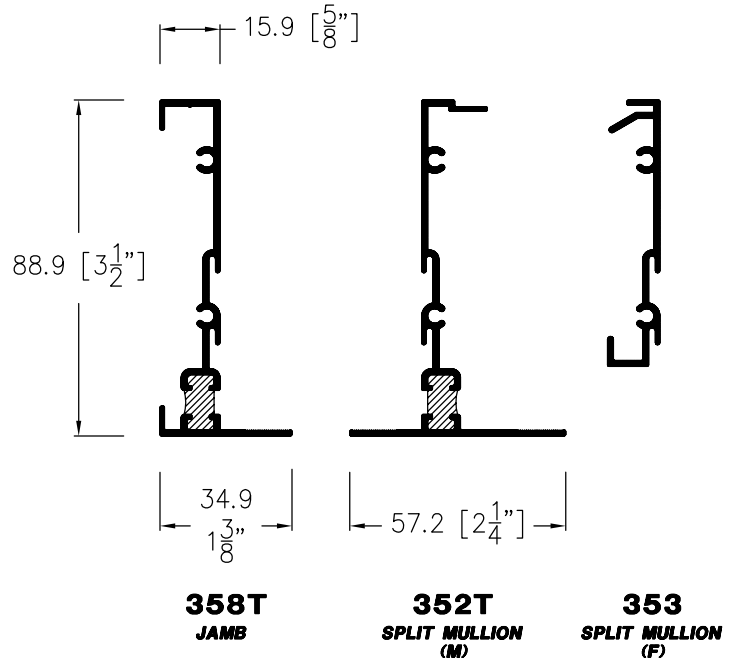
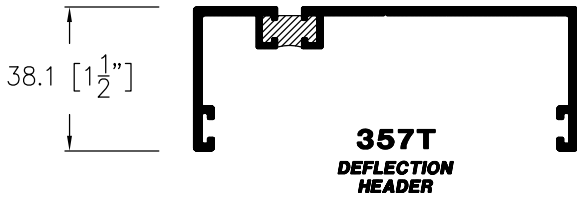


350T SERIES

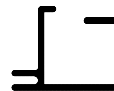
THERMALLY BROKEN FIXED WINDOW SYSTEM
3 1/2" (88.9 mm)

E
08

COMPONENTS



254
SINGLE GLAZING STOP



254D
DOUBLE GLAZING STOP

