

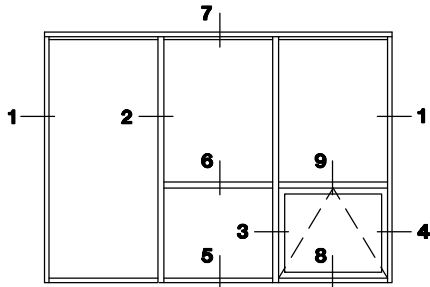
# 350T SERIES

## THERMALLY BROKEN FIXED WINDOW SYSTEM

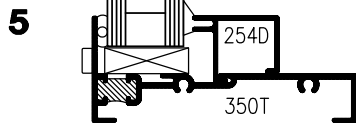
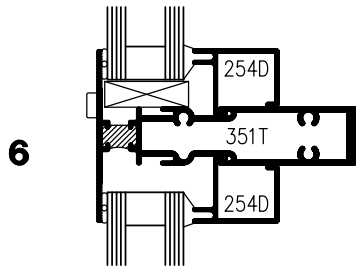
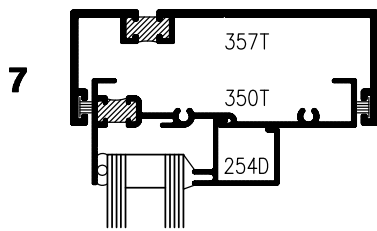
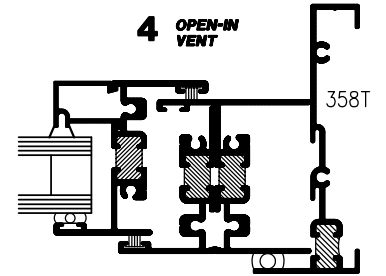
3 1/2" (88.9 mm)

**E**  
**09a**

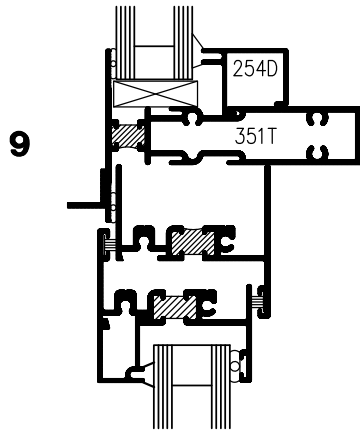
### RAINSCREEN DETAILS



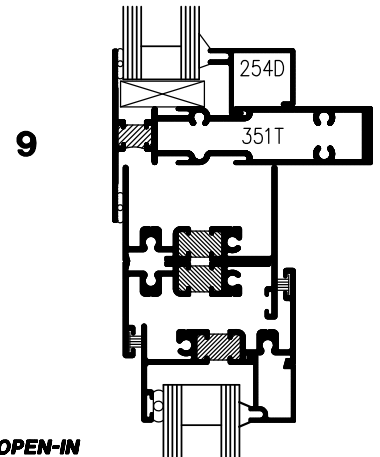
**ELEVATION**



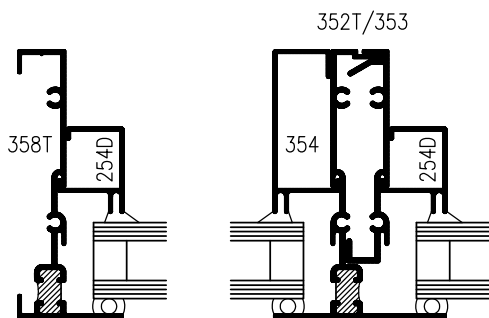
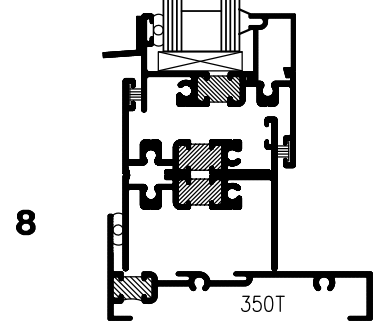
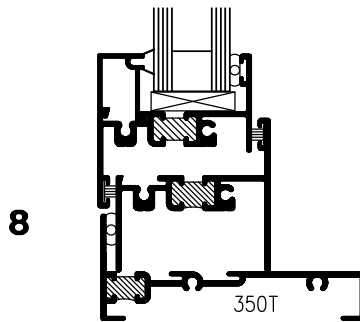
**RAIN SCREEN APPLICATION**



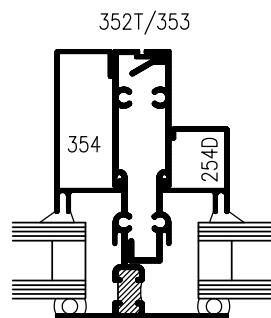
**OPEN-OUT VENT 200 SERIES**



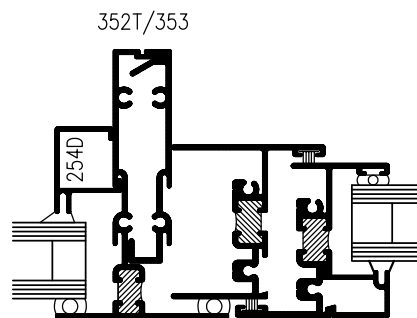
**OPEN-IN VENT 200 SERIES**



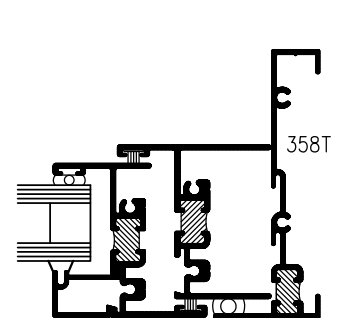
**1**



**2** **OPTIONAL STOPS**



**3**



**4**