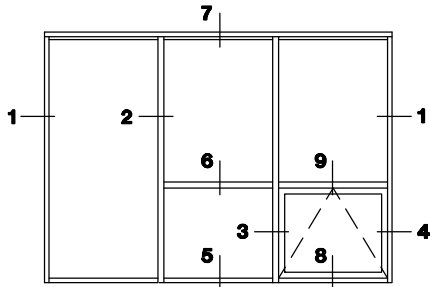


# 350T SERIES

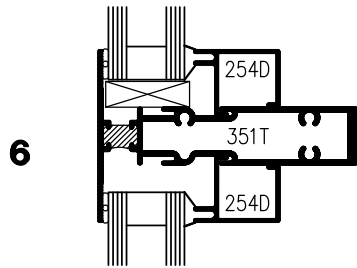
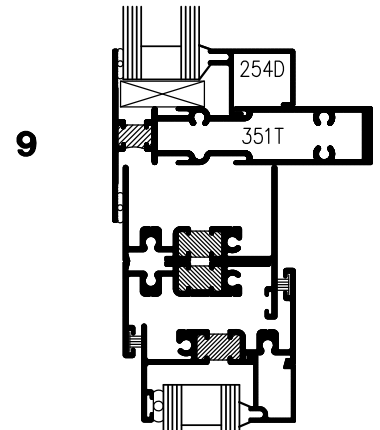
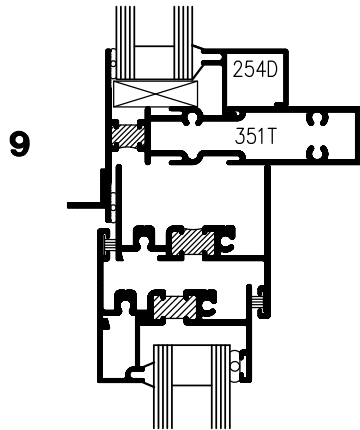
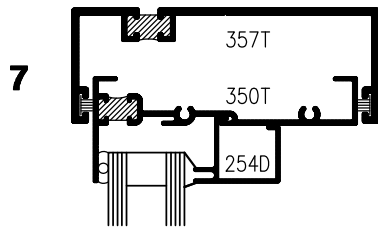
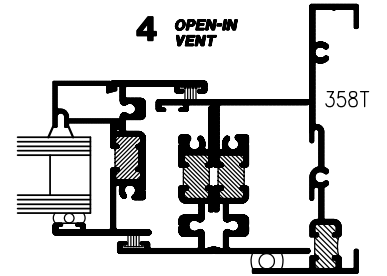
THERMALLY BROKEN FIXED WINDOW SYSTEM  
3 1/2" (88.9 mm)

**E**  
**09**

**DETAILS**

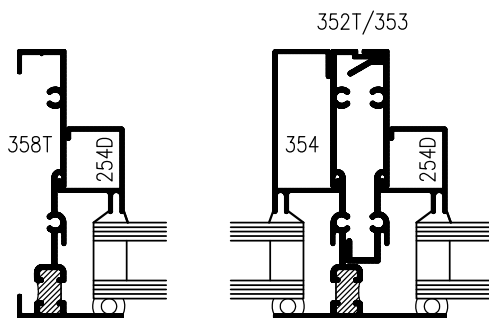
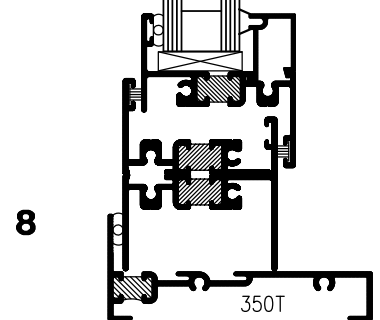
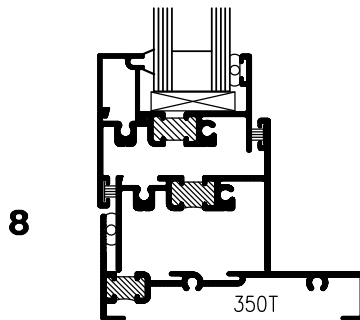
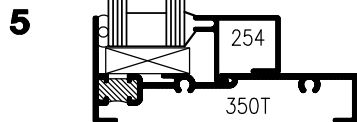


**ELEVATION**



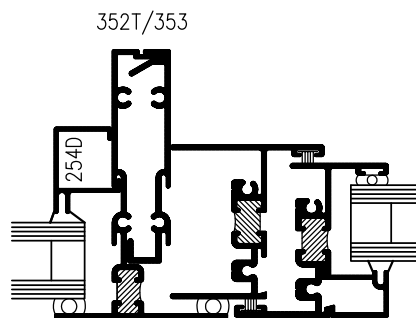
**OPEN-OUT VENT  
200 SERIES**

**OPEN-IN VENT  
200 SERIES**

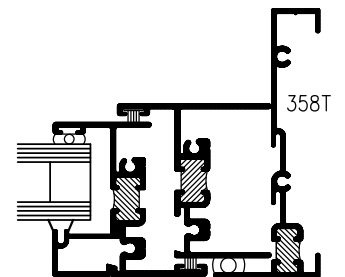


**1**

**2 OPTIONAL STOPS**



**3**



**4**