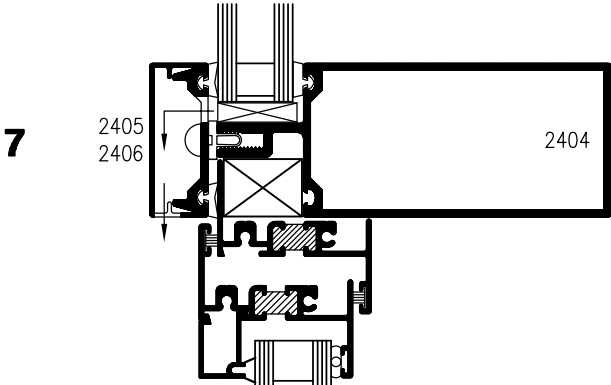


**2400 SERIES**  
**CURTAIN WALL & WINDOW SYSTEM**  
**NARROW - 2" (50.8 mm) - FRAME**

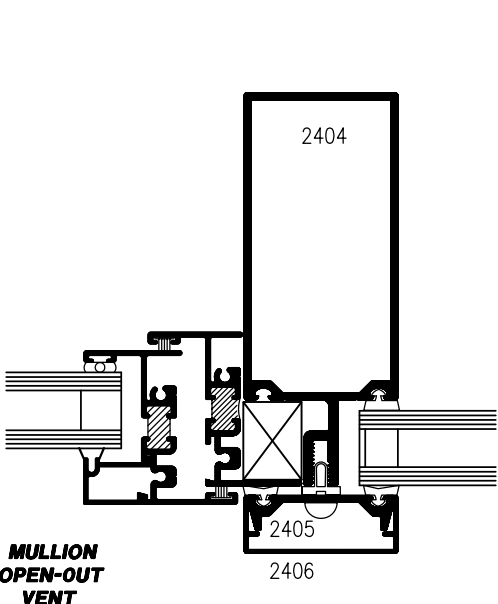
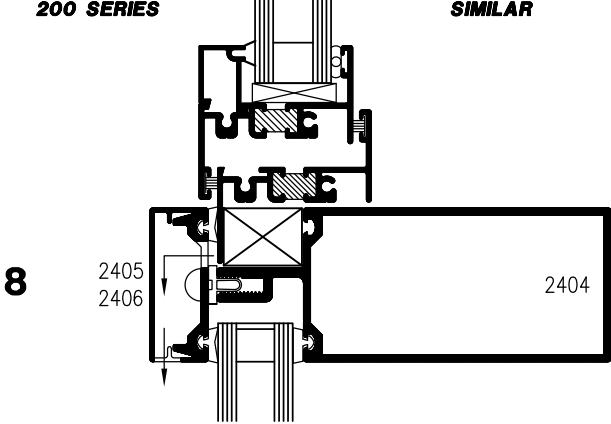
**D**  
**07**

**TYPICAL DETAILS**

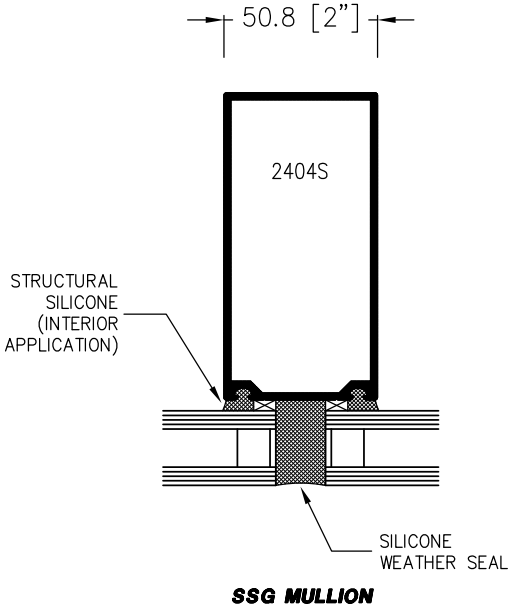


**OPEN-OUT  
VENT  
200 SERIES**

**OPEN-OUT  
VENT  
SIMILAR**



**9**



**10**