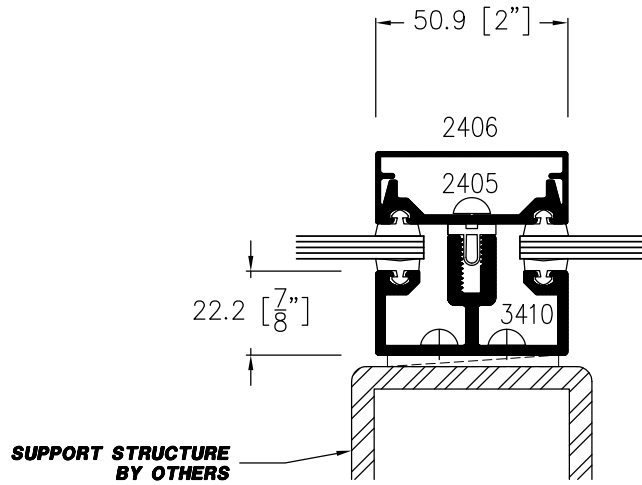


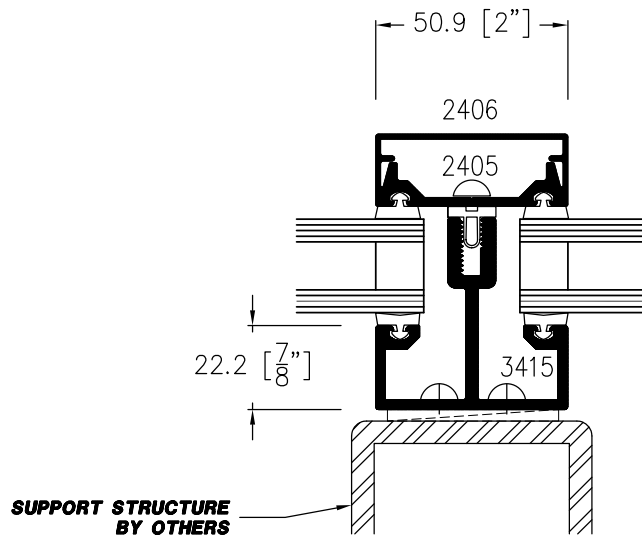
3400 SERIES
RAFTER-PURLIN CANOPY SYSTEMS
2' (50.8 mm) FACE WIDTH

G
10

DETAILS



13 SINGLE GLAZING VENEER



14 DOUBLE GLAZING VENEER