

# 3400 SERIES

## RAFTER-PURLIN SKYLIGHT SYSTEMS

### 2' (50.8 mm) FACE WIDTH

# G 05

### COMPONENTS



**2406**  
CAP



**2405**  
PRESSURE PLATE



**3405**  
CAPLESS  
PRESSURE PLATE



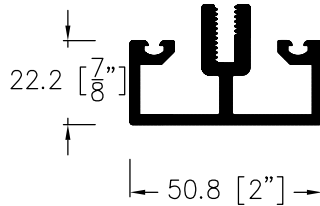
**2460**  
SPONGE GASKET  
(EXTERIOR)



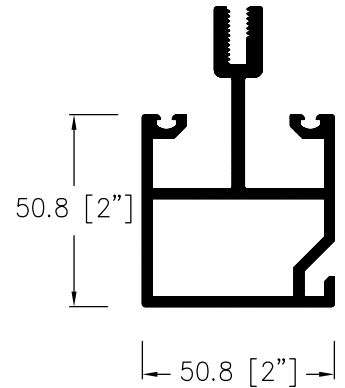
**2410**  
THERMAL BREAK



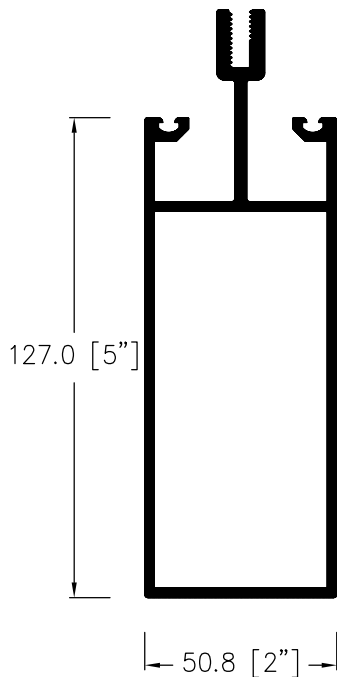
**2450**  
DENSE GASKET  
(INTERIOR)



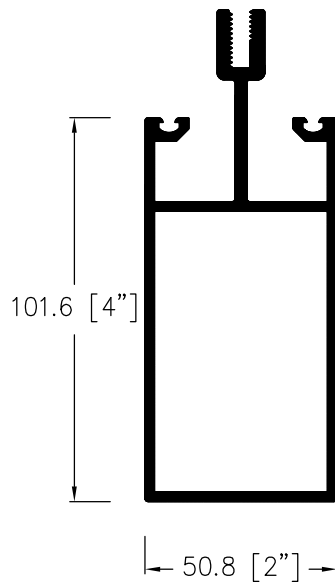
**3410**  
SINGLE GLAZING VENEER



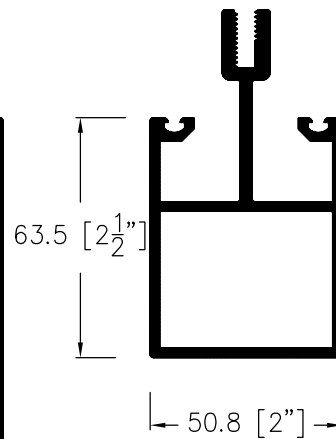
**3420**  
2' (50.8 mm) PURLIN



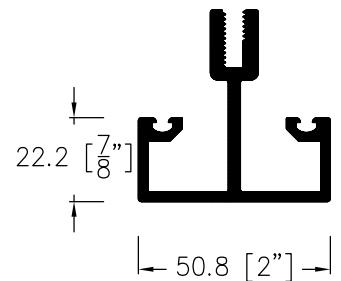
**3450**  
5' (127 mm) RAFTER



**3440**  
4' (101.6 mm) RAFTER



**3425**  
2 1/2' (63.5 mm) RAFTER



**3415**  
DOUBLE GLAZING VENEER