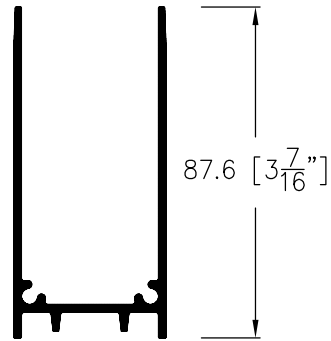
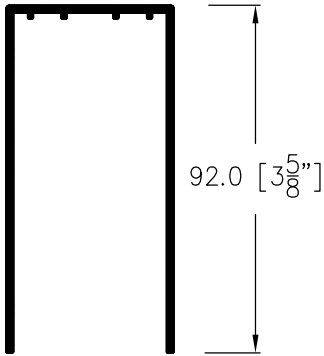


STOREFRONT PROFILES MISCELLANEOUS COMPONENTS

C
22

5082
SIDELITE BASE/ UPPER



5081
SIDELITE BASE/ LOWER

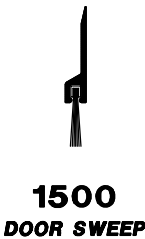
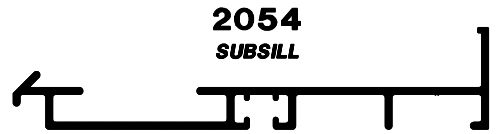
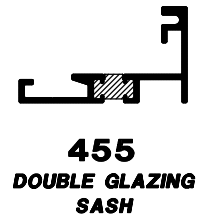
D307
OFFSET ARM COVER



1306
5' THRESHOLD



1506
6' THRESHOLD



SEE PAGES H-01 FOR ANGLES, CHANNELS, AND TUBES
SEE PAGES H-02 FOR MISC.
SEE PAGES H-03 FOR THRESHOLDS