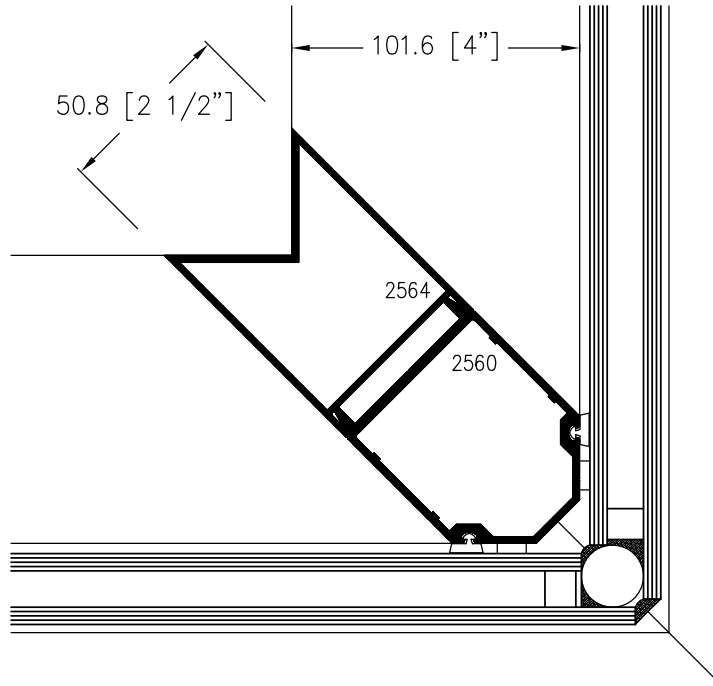


2500 SERIES
CURTAIN WALL & WINDOW SYSTEM
2 1/2' (63.5 mm) - FRAME

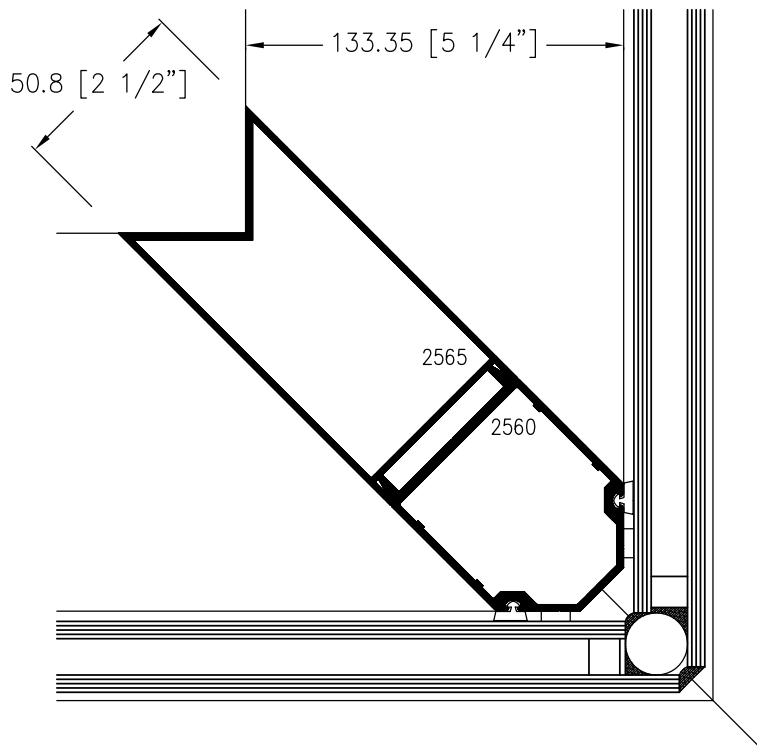
D
27a

TYPICAL BUTT-JOINT CORNER DETAILS



**90° BUTT-JOINT CORNER
AT 4' BACK MEMBER**

12



**90° BUTT-JOINT CORNER
AT 5 1/4' BACK MEMBER**

13