

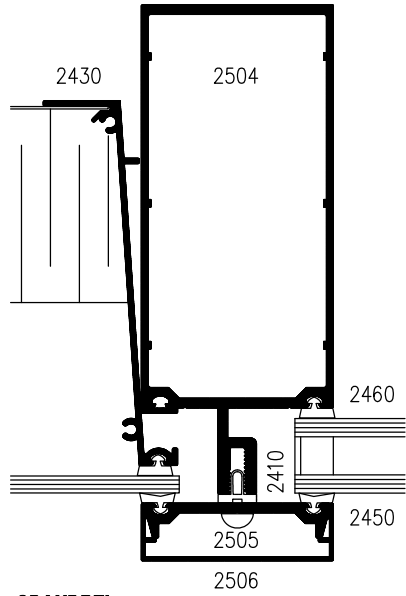
# 2500 SERIES

## CURTAIN WALL SYSTEM

### 2 1/2" (63.5 mm) FRAME

# D 25

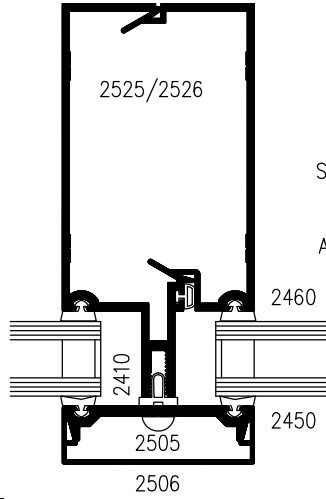
### TYPICAL DETAILS



**SPANDREL**

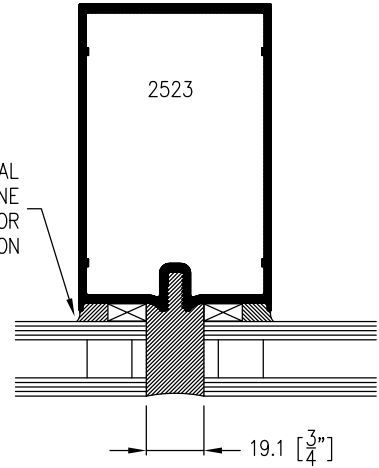
**1**

**VISION**

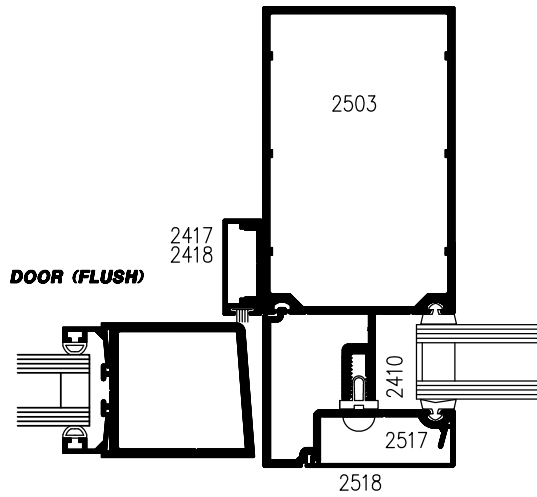


**2**

STRUCTURAL SILICONE  
- INTERIOR APPLICATION

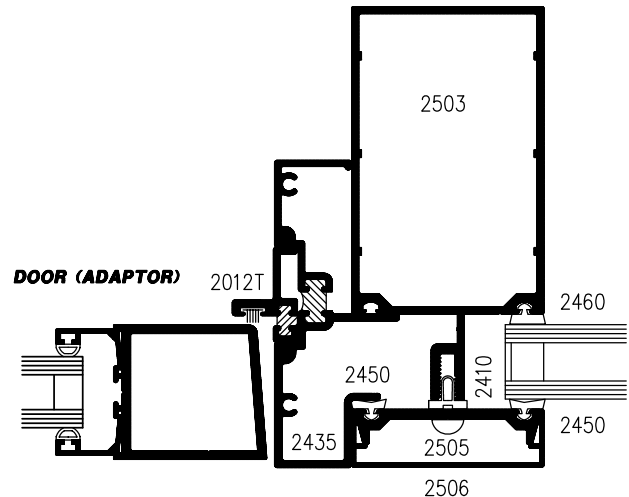


**3**



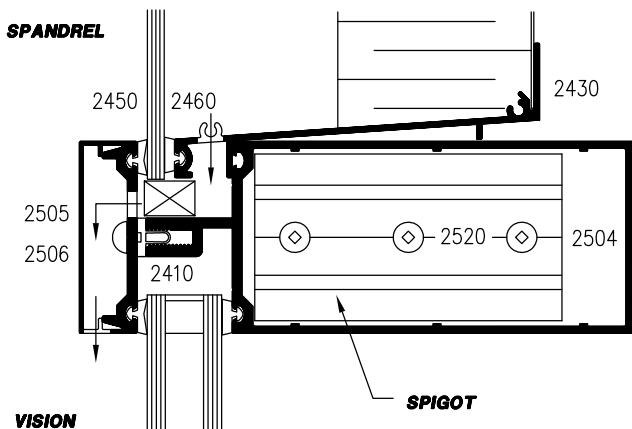
**DOOR (FLUSH)**

**4**



**DOOR (ADAPTOR)**

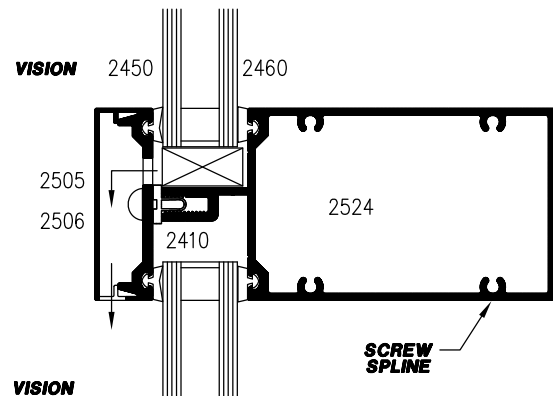
**4a**



**SPANDREL**

**SPIGOT**

**5**



**VISION**

**SCREW SPLINE**

**VISION**

**6**