

# 3400T SERIES

HIGH PERFORMANCE RAFTER-PURLIN  
SKYLIGHT SYSTEM 2" (50.8 mm) FACE WIDTH

**G**  
**05a**

## COMPONENTS



**2406**  
CAP



**2405**  
PRESSURE PLATE



**3405**  
CAPLESS  
PRESSURE PLATE



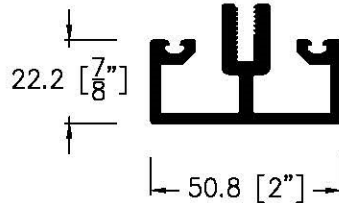
**2460**  
SPONGE GASKET  
(EXTERIOR)



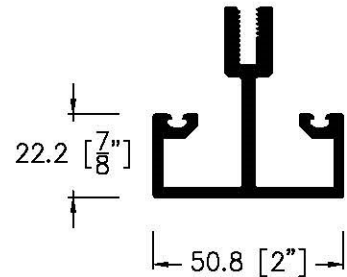
**2410**  
THERMAL BREAK



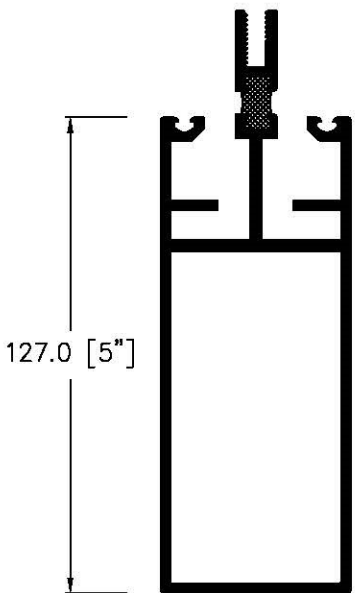
**2450**  
DENSE GASKET  
(INTERIOR)



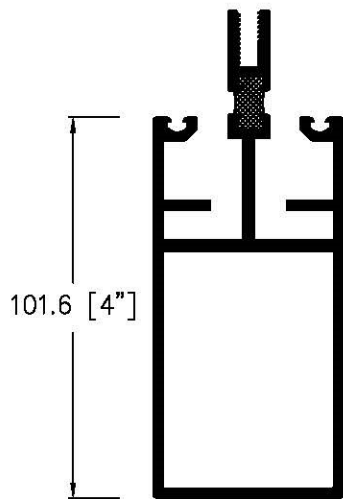
**3410**  
SINGLE GLAZING VENEER



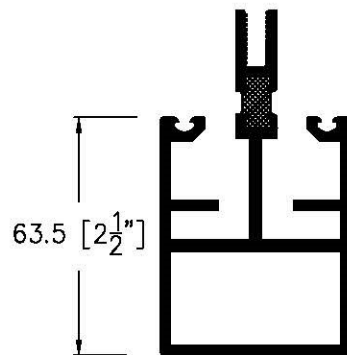
**3415**  
DOUBLE GLAZING VENEER



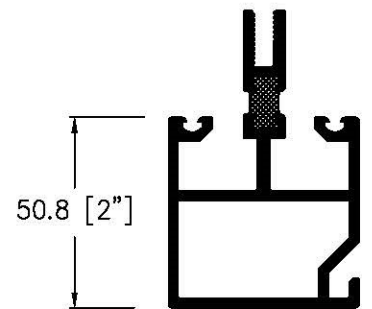
**3450T**  
5" (127 mm) RAFTER



**3440T**  
4" (101.6 mm) RAFTER



**3425T**  
2 1/2" (63.5 mm) RAFTER



**3420T**  
2" (50.8 mm) PURLIN